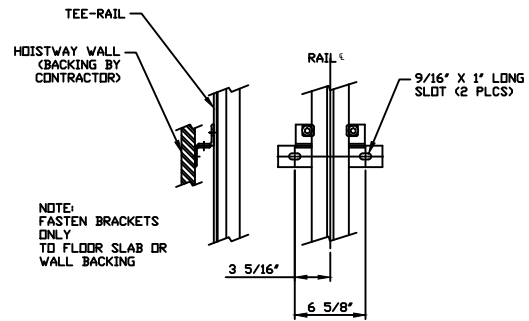


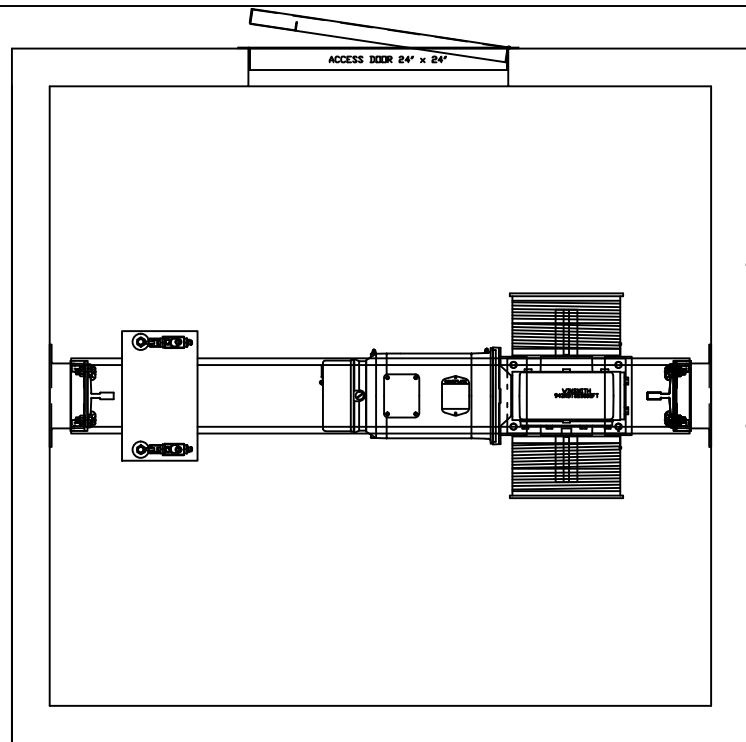
MATOT EQUIPMENT IS MANUFACTURED TO THE LATEST EDITION OF ANSI A17.1/CSA B44 OR B20 CODE. IT IS THE RESPONSIBILITY OF THE PURCHASER TO CONFIRM COMPLIANCE WITH ANY LOCAL STATE OR CITY CODES.

TYPICAL
 THESE DRAWINGS ARE TYPICAL AND REPRESENT STANDARD EQUIPMENT AND APPLICATIONS IF YOU HAVE A NEED BEYOND THE SCOPE OF THESE TYPICAL DRAWINGS MATOT CAN PROVIDE A SOLUTION. PLEASE CALL MATOT AT (800) 369-1070

MINIMUM WALL THICKNESS REQUIRED FOR U.L. LABEL DOOR IS 3 1/2" MAXIMUM WALL THICKNESS IS 13 1/2"

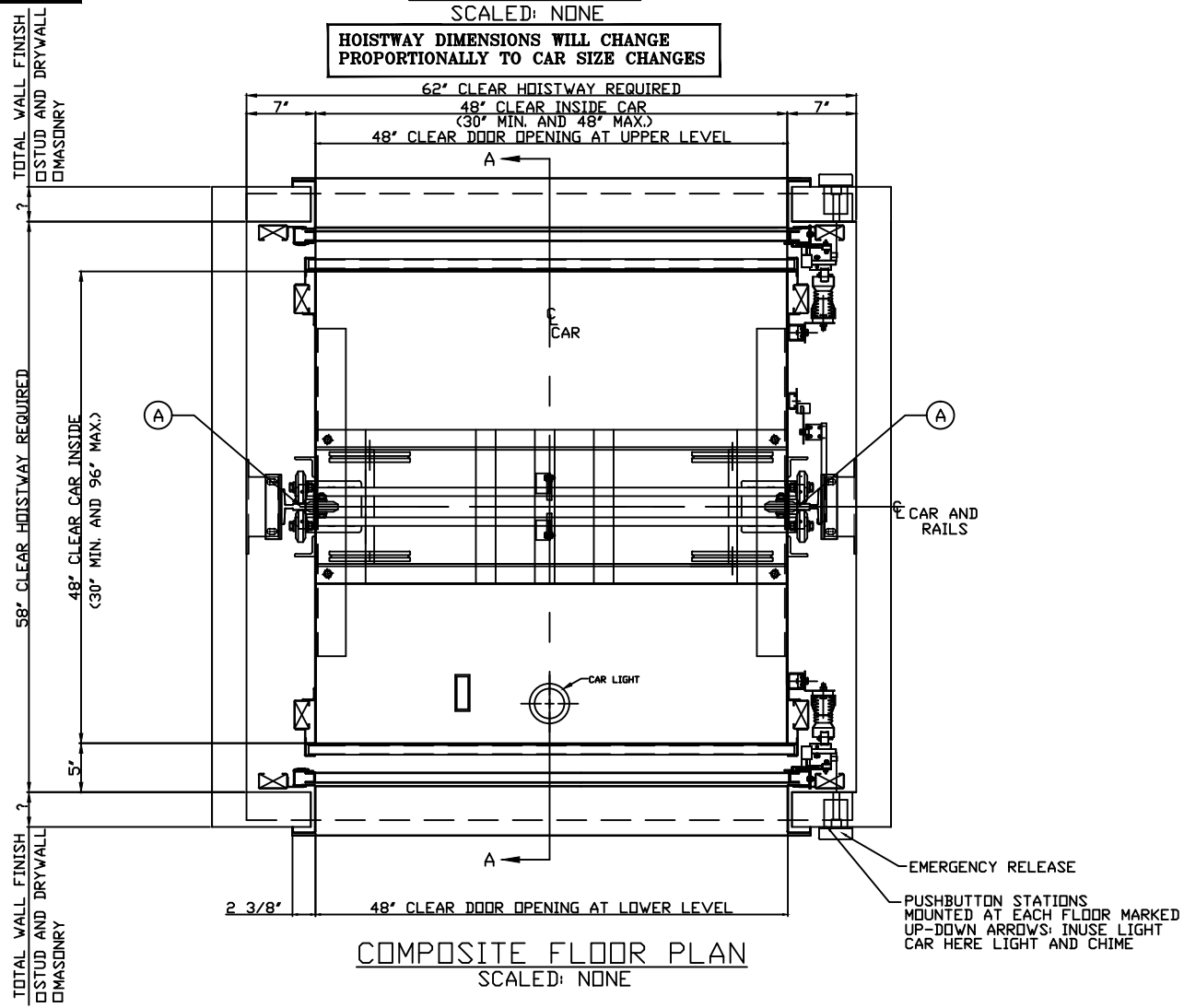


MAX VERTICAL BRACKET SPACING IS 12'-0"
DETAIL B
 RAIL BRACKET ASSEMBLY



MACHINE PLAN
 SCALED: NONE

HOISTWAY DIMENSIONS WILL CHANGE PROPORTIONALLY TO CAR SIZE CHANGES



COMPOSITE FLOOR PLAN
 SCALED: NONE

IMPORTANT:
 BEFORE APPROVING THIS LAYOUT NOTE THAT THE FOLLOWING MUST BE PROVIDED BUT ARE NOT INCLUDED IN DUMB-WAITER CONTRACT:

- GENERAL NOTES**
- Power Feed with line disconnect switch must be brought to immediate vicinity of our controller.
 - Hoistway free of all pipes and obstructions.
 - All bracket fastening inserts and steel required for support of guide rail and brackets, to be furnished by others.
 - All truckable units require 2 inch deep pockets for trucking sills.

WEIGHT OF MACHINE (EST.)	400 LBS.
WEIGHT OF CAR (EST.)	2840 LBS. (GROSS)
REACTIONS	
A	2440 LBS. (STATIC)
B	100 LBS. (LATERAL)
D	
OPENINGS :	LOCATED OPPOSITE SIDES OF HOISTWAY
STOPS :	2 MINIMUM TO 5 MAXIMUM, MORE STOPS CAN BE PROVIDED
HOWEVER SPECIAL ENGINEERING IS REQUIRED CALL MATOT (800) 369-1070	
MISC. PREWIRED CAR TOP AND ATTACHED TRAVEL CABLE	

CAR MATL.	STAINLESS STEEL OR CARBON STEEL FINISH: AIR DRIED GREY ENAMEL
CABLE SIZE	3/16 2-REQD. BREAKING STRENGTH 4200 LBS. EACH CABLE
CAR GATES 2-REQD.	STAINLESS STEEL OR CARBON STEEL SLIDE UP MANUAL OR POWER OPERATION FINISH: AIR DRIED GREY ENAMEL
DOORS - -REQD.	U/L B LABEL STAINLESS STEEL OR CARBON STEEL SLIDE UP FINISH: AIR DRIED GREY ENAMEL
SILLS	TRUCKABLE STAINLESS STEEL OR CARBON STEEL
ACCESS & CLEAN-OUT DOOR	STAINLESS STEEL OR CARBON STEEL U/L B LABEL FINISH: AIR DRIED GREY ENAMEL
HOISTWAY EQUIP.	8# TEE RAIL

CAR SAFETY:	BROKEN CABLE DEVICE
CWT. SAFETY:	NONE
BUFFERS:	NONE
MACHINE DESIGN	DRUM OVERHEAD DRUM #PD1052RP/PD1052LP REDUCER 943MDT 80:1
H.P. VOLTS	208-230 OR 460-480 PH. 3 CYL. 60 AMPS.
OPERATION:	SINGLE AUTOMATIC CALL AND SEND STARTING: RUNNING:
CONTROL	VARIABLE SPEED IN USE LIGHT
SIGNALS	CAR HERE LIGHT AND CHIME DOOR OPEN BUZZER

CAPACITY:	1000 LBS.	F.P.M. 40	TRAVEL:
TYPE DUMBWAITER: ELEC. MODEL #840			
PROJECT:			
ARCHITECT:			
GENERAL CONTRACTOR:			
CONTRACT WITH:			
REVISIONS	DATE	DATE	DATE

MATOT, INC.

SPECIALIZING IN SINCE 1888
 DUMBWAITERS, BOOKLIFTS, RECORD CARRIERS, D. W. DOORS
 2501 VAN BUREN, BELLWOOD, ILLINOIS 60104
 PHONE: AREA CODE (708) 547-1888

PRELIM. PRINT	FINAL	DRAWN BY	CHECKED
JOB No.	SHEET 1 OF 1	DRAWING No.	OPPOSITE FLOOR SU 36V X 48D X 4