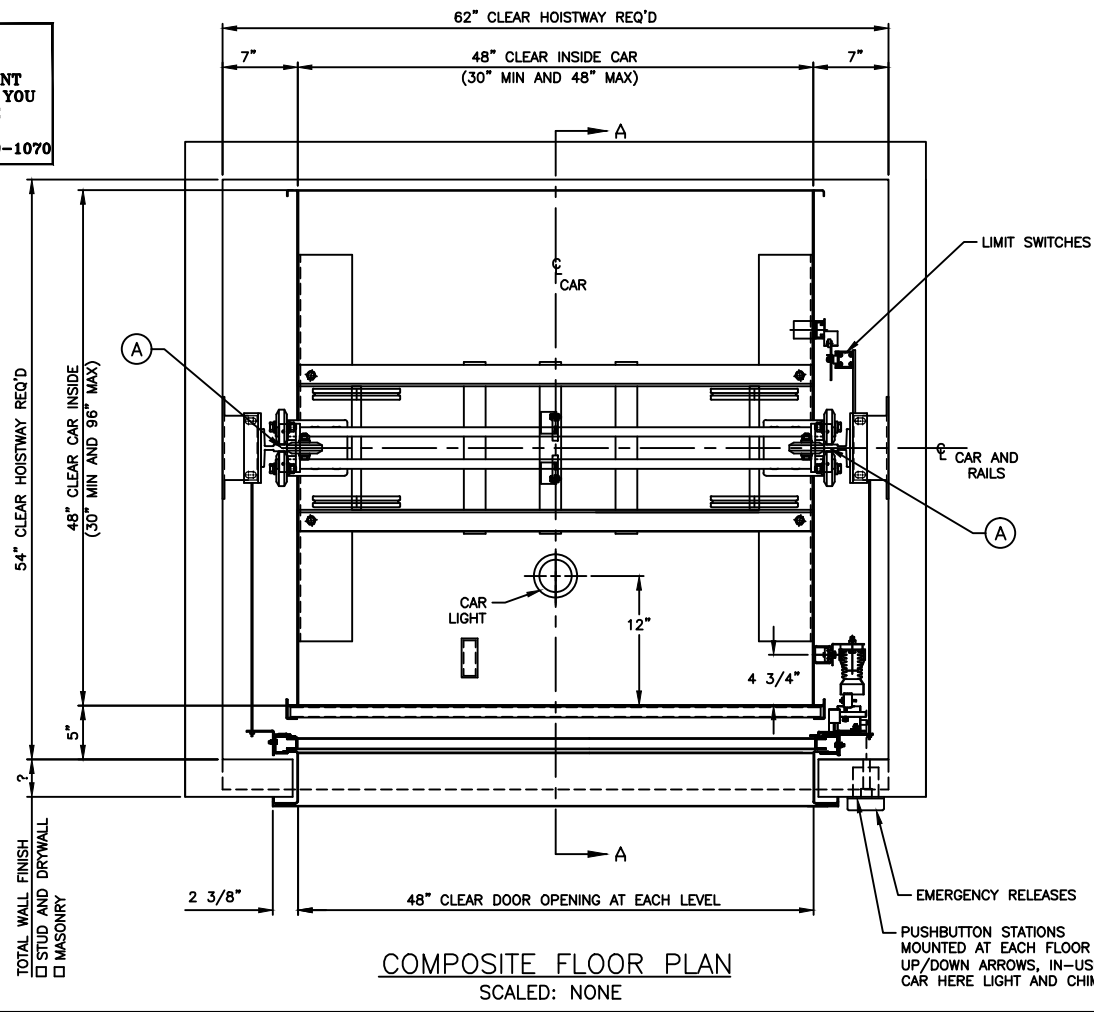


MATOT EQUIPMENT IS MANUFACTURED TO THE LATEST EDITION OF ANSI A17.1/CSA B44 OR B20 CODE. IT IS THE RESPONSIBILITY OF THE PURCHASER TO CONFIRM COMPLIANCE WITH ANY LOCAL STATE OR CITY CODES.

HOISTWAY DIMENSIONS WILL CHANGE PROPORTIONALLY TO CAR SIZE CHANGES

TYPICAL
THESE DRAWINGS ARE TYPICAL AND REPRESENT STANDARD EQUIPMENT AND APPLICATIONS IF YOU HAVE A NEED BEYOND THE SCOPE OF THESE TYPICAL DRAWINGS MATOT CAN PROVIDE A SOLUTION. PLEASE CALL MATOT AT (800) 369-1070



MINIMUM WALL THICKNESS REQUIRED FOR U.L. LABEL DOOR IS 3 1/2" MAXIMUM WALL THICKNESS IS 13 1/2"

IMPORTANT:
BEFORE APPROVING THIS LAYOUT NOTE THAT THE FOLLOWING MUST BE PROVIDED BUT ARE NOT INCLUDED IN VRC CONTRACT:

- GENERAL NOTES**
- Power feed with line disconnect switch must be brought to immediate vicinity of our controller.
 - Hoistway free of all pipes and obstructions.
 - All bracket fastening inserts and steel required for support of guide rail and brackets, to be furnished by others.
 - All truckable units require 2 inch deep pockets for trucking sills.

WEIGHT OF MACHINE (EST.)	400 LBS.
WEIGHT OF CAR (EST.)	2570 LBS. (GROSS)
REACTIONS	
A	2310 LBS. (STATIC)
B	100 LBS. (LATERAL)
C	
OPENINGS : --	LOCATED SAME SIDE OF HOISTWAY
STOPS : 2 MINIMUM AND 5 MAXIMUM, MORE STOPS CAN BE PROVIDED HOWEVER SPECIAL ENGINEERING IS REQ. CALL MATOT (800) 369-1070	
MISC.:	PREWIRED CAR TOP WITH TRAVEL CABLE

CAR MATL.	<input checked="" type="checkbox"/> STAINLESS STEEL OR CARBON STEEL FINISH: NO. 4 OR AIR DRIED GREY ENAMEL	
CABLE SIZE	<input checked="" type="checkbox"/> 3/16 x 7 x 19 2-REQD. <input checked="" type="checkbox"/> BREAKING STRENGTH 4200 LBS. EACH CABLE	
CAR GATES 2-REQD.	<input checked="" type="checkbox"/> STAINLESS STEEL OR CARBON STEEL <input checked="" type="checkbox"/> BI-PARTING <input checked="" type="checkbox"/> MANUAL OR POWER (PLEASE SEE OVERHEAD REQ'S) FINISH: NO. 4 OR AIR DRIED GREY ENAMEL <input checked="" type="checkbox"/> U/L B LABEL	
DOORS --REQD.	<input checked="" type="checkbox"/> STAINLESS STEEL OR CARBON STEEL <input checked="" type="checkbox"/> BI-PARTING FINISH: NO. 4 OR AIR DRIED GREY ENAMEL	
SILLS	<input checked="" type="checkbox"/> TRUCKABLE STAINLESS STEEL OR CARBON STEEL	
ACCESS & CLEAN-OUT DOOR	<input checked="" type="checkbox"/> STAINLESS STEEL OR CARBON STEEL <input checked="" type="checkbox"/> U/L B LABEL FINISH: NO. 4 OR AIR DRIED GREY ENAMEL	
HOISTWAY EQUIP.	<input checked="" type="checkbox"/> 8# TEE RAIL	
CAR SAFETY:	BROKEN CABLE DEVICE	
CWT. SAFETY:	NONE	
BUFFERS:	NONE	
MACHINE DESIGN	<input checked="" type="checkbox"/> DRUM OVERHEAD <input checked="" type="checkbox"/> DRUM #PD1052RP/PD1052LP REDUCER 943MDT 60:1	
H.P. OPERATION:	VOLTS 208-230 OR 460-480 PH. CYL. 60 AMPS. OPERATION: SINGLE AUTOMATIC CALL AND SEND RUNNING:	
CONTROL	<input checked="" type="checkbox"/> V.V.V.F. <input checked="" type="checkbox"/> IN USE LIGHT <input checked="" type="checkbox"/> CAR HERE LIGHT AND CHIME <input checked="" type="checkbox"/> DOOR OPEN BUZZER	
SIGNALS		
CAPACITY:1000	F.P.M.40 TRAVEL:	
TYPE VRC:	ELEC. MODEL #840	
PROJECT:		
ARCHITECT:		
GENERAL CONTRACTOR:		
CONTRACT WITH:		
REVISIONS	DATE	DATE

MATOT, INC.

SPECIALIZING IN DUMBWAITERS, BOOKLIFTS, RECORD CARRIERS, D. W. DOORS SINCE 1888

2501 VAN BUREN, BELLWOOD, ILLINOIS 60104

PHONE: AREA CODE (708) 547-1888

PRELIM. PRINT	FINAL	DRAWN BY	CHECKED
JOB No.	SHEET 1 OF 1	DRAWING No.	INLINE FLOOR BP 36W X 48D X 60H