

VIEW A-A

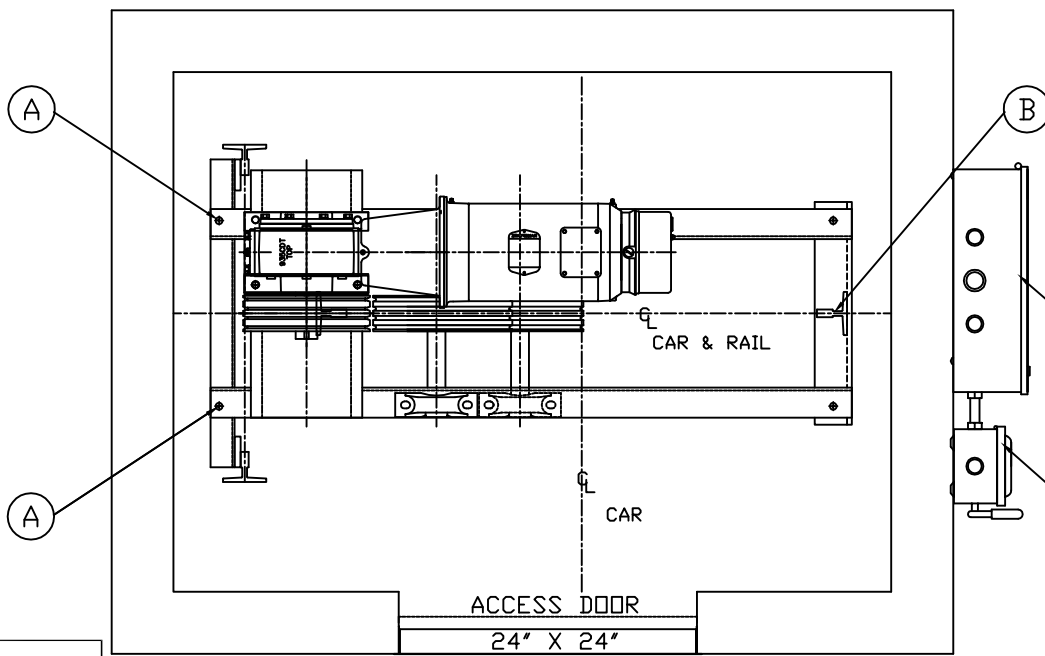
TYPICAL

THESE DRAWINGS ARE TYPICAL AND REPRESENT STANDARD EQUIPMENT AND APPLICATIONS IF YOU HAVE A NEED BEYOND THE SCOPE OF THESE TYPICAL DRAWINGS MATOT CAN PROVIDE A SOLUTION. PLEASE CALL MATOT AT (800) 369-1070

MATOT EQUIPMENT IS MANUFACTURED TO THE LATEST EDITION OF ANSI 17.1/CSA B44 CODE. IT IS THE RESPONSIBILITY OF THE PURCHASER TO CONFIRM COMPLIANCE WITH ANY LOCAL STATE OR CITY CODES.

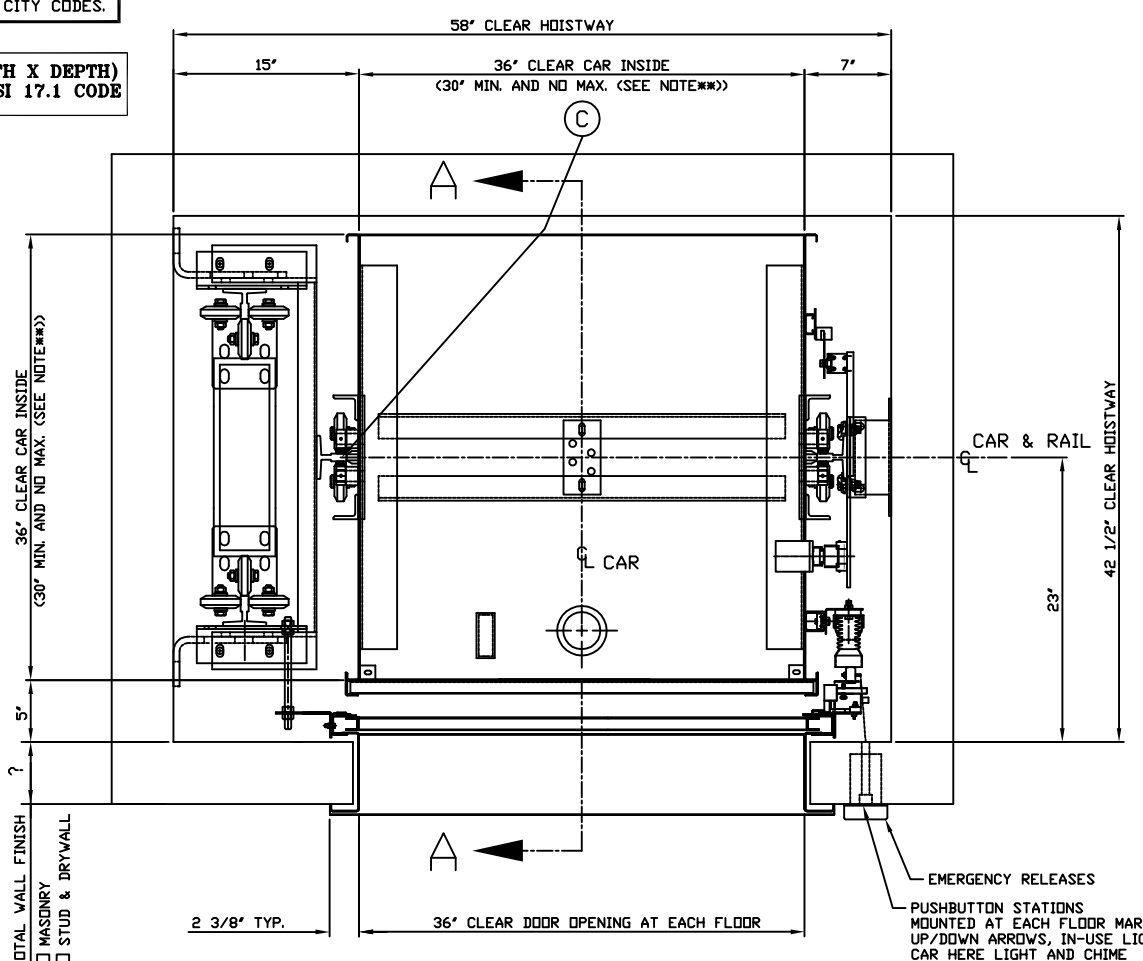
****CAR MAXIMUM PLATFORM AREA (WIDTH X DEPTH) CANNOT EXCEED 1,548 IN. SQ. BY ANSI 17.1 CODE**

MINIMUM WALL THICKNESS REQUIRED FOR U.L. LABEL DOOR IS 3 1/2" MAXIMUM WALL THICKNESS IS 13 1/2"



MACHINE PLAN
SCALE: NONE

HOISTWAY DIMENSIONS WILL CHANGE PROPORTIONALLY TO CAR SIZE CHANGES



COMPOSITE FLOOR PLAN
SCALED: NONE

IMPORTANT:
BEFORE APPROVING THIS LAYOUT NOTE THAT THE FOLLOWING MUST BE PROVIDED BUT ARE NOT INCLUDED IN DUMBWAITER CONTRACT:

GENERAL NOTES

a. Power feed with line disconnect switch must be brought to immediate vicinity of our controller.
b. Hoistway free of all pipes and obstructions.
c. All bracket fastening inserts and steel required for support of guide rail and brackets, to be furnished by others.

WEIGHT OF MACHINE (EST.)	1310 LBS.
WEIGHT OF MACHINE (EST.)	600 LBS.
WEIGHT OF CAR (EST.)	1670 LBS. (GROSS)
REACTIONS	
A	2440 LBS. ESTIMATE (STATIC, AT SHAFT FLOOR)
B	2790 LBS. ESTIMATE (STATIC, AT SHAFT FLOOR)
C	1060 LBS. ESTIMATE (STATIC, AT SHAFT FLOOR)
D	200 LBS. (LATERAL, MAX. AT WALL BRACKET)
OPENINGS :	LOCATED SAME SIDE OF HOISTWAY
STOPS :	2 MINIMUM TO 5 MAXIMUM, MORE STOPS CAN BE PROVIDED HOWEVER SPECIAL ENGINEERING IS REQUIRED CALL MATOT (800) 369-1070
MISC.:	PREWIRED CAR TOP WITH ATTACHED TRAVEL CABLE
SHELF	<input checked="" type="checkbox"/> REMOVABLE 1-REQD.
CAR MATL.	<input checked="" type="checkbox"/> STAINLESS STEEL OR CARBON STEEL FINISH: NO. 4 OR AIR DRIED GREY ENAMEL
CABLE SIZE	<input checked="" type="checkbox"/> 3/16 x 7 x 19 1-REQD. <input checked="" type="checkbox"/> BREAKING STRENGTH 4200 LBS. EACH CABLE
CAR GATES 1-REQD.	<input checked="" type="checkbox"/> STAINLESS STEEL OR CARBON STEEL <input checked="" type="checkbox"/> BI-PARTING <input checked="" type="checkbox"/> MANUAL OR POWER (PLEASE SEE OVERHEAD REQUIREMENTS) FINISH: NO. 4 OR AIR DRIED GREY ENAMEL
DOORS -1-REQD.	<input checked="" type="checkbox"/> U/L B LABEL <input checked="" type="checkbox"/> STAINLESS STEEL OR CARBON STEEL <input checked="" type="checkbox"/> BI-PARTING <input checked="" type="checkbox"/> MANUAL OR POWER (PLEASE SEE OVERHEAD REQUIREMENTS) FINISH: NO. 4 OR AIR DRIED GREY ENAMEL
SILLS	<input checked="" type="checkbox"/> COUNTER STAINLESS STEEL OR CARBON STEEL
ACCESS & CLEAN-OUT DOOR	<input checked="" type="checkbox"/> STAINLESS STEEL OR CARBON STEEL <input checked="" type="checkbox"/> U/L B LABEL FINISH: NO. 4 OR DRIED GREY ENAMEL
HOISTWAY EQUIP.	<input checked="" type="checkbox"/> B# TEE RAIL <input checked="" type="checkbox"/> (4) T-RAIL DESIGN
CAR SAFETY:	BROKEN CABLE DEVICE
CWT. SAFETY:	NONE
BUFFERS:	NONE
MACHINE DESIGN	<input checked="" type="checkbox"/> TRACTION OVERHEAD <input checked="" type="checkbox"/> SHEAVES 10" DIA, (1) PS10425V, (2) PS10425U <input checked="" type="checkbox"/> REDUCER - 943MDT, 182TC FACE, 50:1 RATIO
H.P. 3	VOLTS 208-230 OR 460-480 PH. 3 CYL. 60 AMPS
OPERATION:	SINGLE AUTOMATIC CALL AND SEND STARTING RUNNING
CONTROL	<input checked="" type="checkbox"/> V.V.V.F. <input checked="" type="checkbox"/> IN-USE LIGHT
SIGNALS	<input checked="" type="checkbox"/> CAR HERE LIGHT AND CHIME <input checked="" type="checkbox"/> DOOR OPEN BUZZER
CAPACITY:	500 LBS. F.P.M. 75 TRAVEL:
TYPE DUMBWAITER:	ELEC. MODEL # 200
PROJECT:	
ARCHITECT:	
GENERAL CONTRACTOR:	
CONTRACT WITH:	
REVISIONS	DATE BY
MATOT, INC.	
SPECIALIZING IN DUMBWAITERS, BOOKLIFTS, RECORD CARRIERS, D. W. DOORS SINCE 1888	
2501 VAN BUREN, BELLWOOD, ILLINOIS 60104	
PHONE: AREA CODE (708) 547-1888	
PRELIM. PRINT	FINAL DRAWN BY CHECKED
JOB No.	SHEET 1 OF 1 DRAWING No. IN-LINE COUNTER BP 36W X 36D X 48H