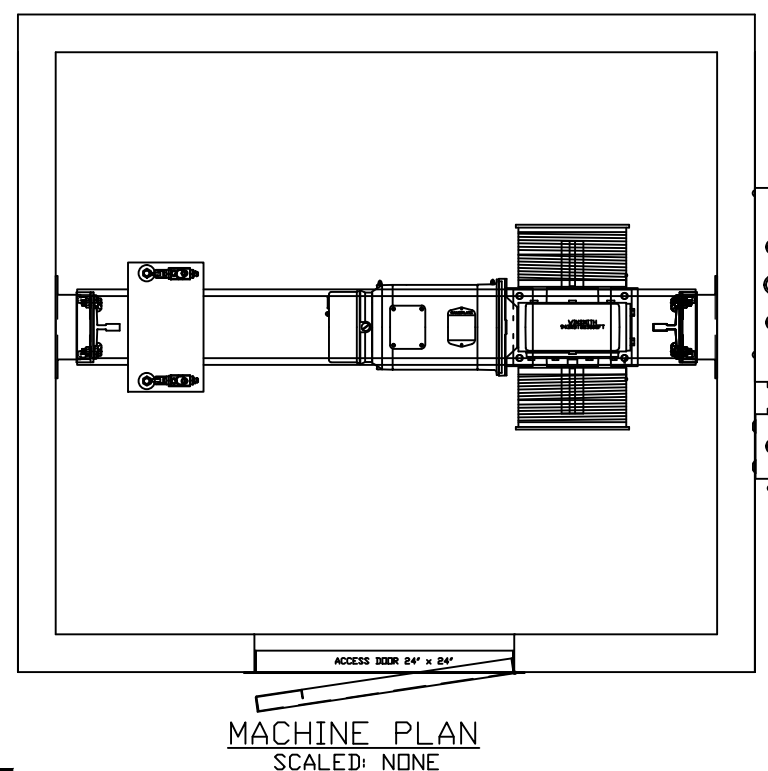


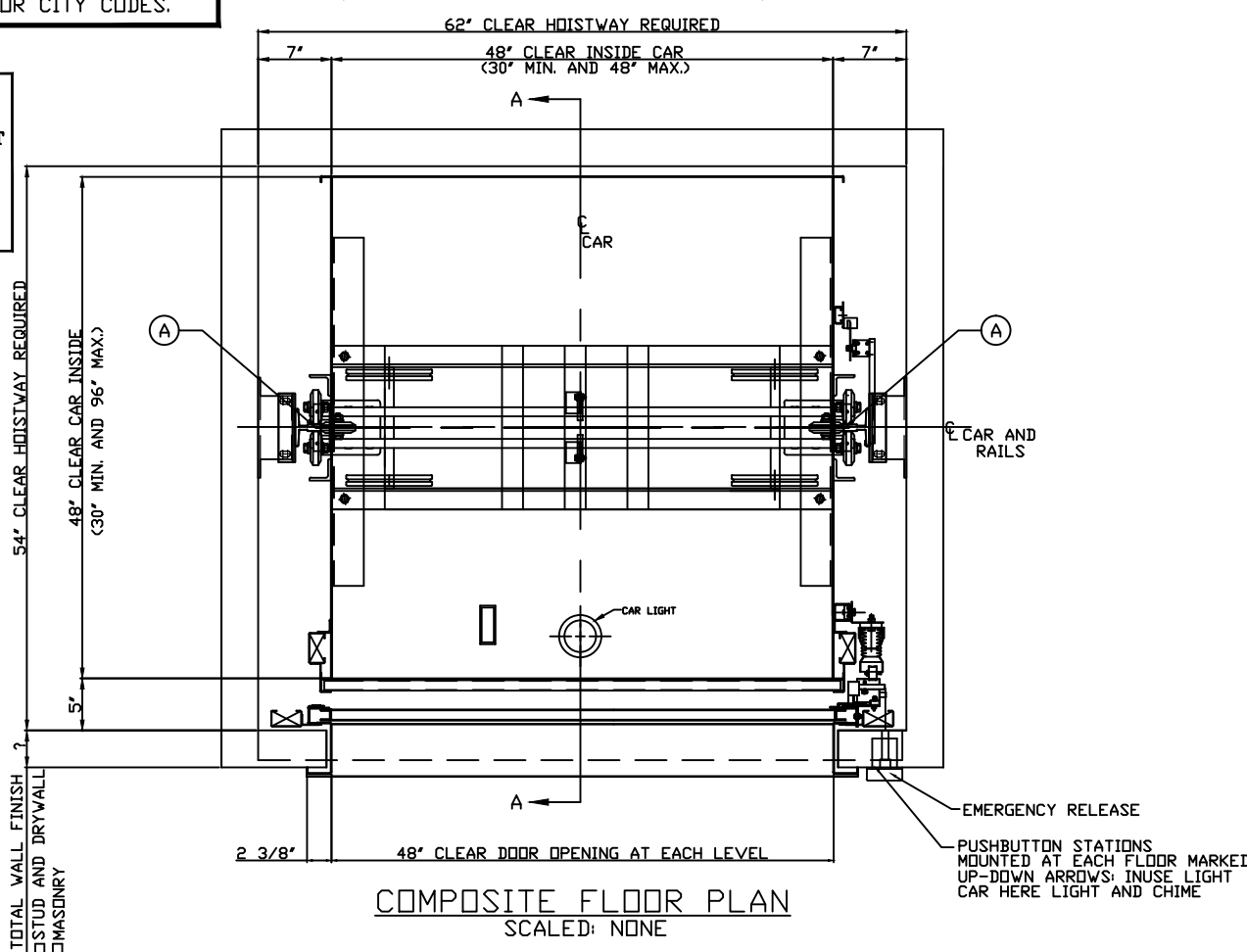
MATOT EQUIPMENT IS MANUFACTURED TO THE LATEST EDITION OF ANSI A17.1/CSA B44 OR B20 CODE. IT IS THE RESPONSIBILITY OF THE PURCHASER TO CONFIRM COMPLIANCE WITH ANY LOCAL STATE OR CITY CODES.

**TYPICAL**  
 THESE DRAWINGS ARE TYPICAL AND REPRESENT STANDARD EQUIPMENT AND APPLICATIONS IF YOU HAVE A NEED BEYOND THE SCOPE OF THESE TYPICAL DRAWINGS MATOT CAN PROVIDE A SOLUTION. PLEASE CALL MATOT AT (800) 369-1070

MINIMUM WALL THICKNESS REQUIRED FOR U.L. LABEL DOOR IS 3 1/2" MAXIMUM WALL THICKNESS IS 13 1/2"



HOISTWAY DIMENSIONS WILL CHANGE PROPORTIONALLY TO CAR SIZE CHANGES



**IMPORTANT:**  
 BEFORE APPROVING THIS LAYOUT NOTE THAT THE FOLLOWING MUST BE PROVIDED BUT ARE NOT INCLUDED IN DUMB-WAITER CONTRACT:

- GENERAL NOTES**
- Power Feed with line disconnect switch must be brought to immediate vicinity of our controller.
  - Hoistway free of all pipes and obstructions.
  - All bracket fastening inserts and steel required for support of guide rail and brackets, to be furnished by others.
  - All truckable units require 2 inch deep pockets for trucking sills.

WEIGHT OF MACHINE (EST.)	400 LBS.
WEIGHT OF CAR (EST.)	2610 LBS. (GROSS)
<b>REACTIONS</b>	
A	2340 LBS. (STATIC)
B	100 LBS. (LATERAL)
D	
OPENINGS :	LOCATED SAME SIDE OF HOISTWAY
STOPS :	2 MINIMUM TO 5 MAXIMUM, MORE STOPS CAN BE PROVIDED
HOWEVER SPECIAL ENGINEERING IS REQUIRED CALL MATOT (800) 369-1070	
MISC. PREWIRED CAR TOP AND ATTACHED TRAVEL CABLE	
CAR MATL.	STAINLESS STEEL OR CARBON STEEL FINISH: AIR DRIED GREY ENAMEL
CABLE SIZE	3/16 2-REQD. BREAKING STRENGTH 4200 LBS. EACH CABLE
CAR GATES 1-REQD.	STAINLESS STEEL OR CARBON STEEL SLIDE UP MANUAL OR POWER OPERATION FINISH: AIR DRIED GREY ENAMEL
DOORS -REQD.	U/L B LABEL STAINLESS STEEL OR CARBON STEEL SLIDE UP FINISH: AIR DRIED GREY ENAMEL
SILLS	TRUCKABLE STAINLESS STEEL OR CARBON STEEL
ACCESS & CLEAN-OUT DOOR	STAINLESS STEEL OR CARBON STEEL U/L B LABEL FINISH: AIR DRIED GREY ENAMEL
HOISTWAY EQUIP.	8# TEE RAIL
CAR SAFETY:	BROKEN CABLE DEVICE
CWT. SAFETY:	NONE
BUFFERS:	NONE
MACHINE DESIGN	DRUM OVERHEAD DRUM #PD1052RP/PD1052LP REDUCER 943MDT 80:1
H.P. VOLTS	208-230 OR 460-480 PH. 3 CYL. 60 AMPS.
OPERATION:	SINGLE AUTOMATIC CALL AND SEND STARTING: RUNNING:
CONTROL:	VARIABLE SPEED IN USE LIGHT
SIGNALS:	CAR HERE LIGHT AND CHIME DOOR OPEN BUZZER
CAPACITY:	1000 LBS. F.P.M. 40 TRAVEL:
TYPE DUMBWAITER:	ELEC. MODEL #840
PROJECT:	
ARCHITECT:	
GENERAL CONTRACTOR:	
CONTRACT WITH:	
REVISIONS	DATE
<b>Matot, Inc.</b>	
SPECIALIZING IN DUMBWAITERS, BOOKLIFTS, RECORD CARRIERS, D. W. DOORS SINCE 1888	
2501 VAN BUREN, BELLWOOD, ILLINOIS 60104	
PHONE: AREA CODE (708) 547-1888	
PRELIM. PRINT	FINAL
JOB No.	SHEET DRAWING No.
	1 OF 1

CONTROLLER BY MATOT: 24" W X 36" H X 10" D, MOUNTED ON WALL AT BOTTOM FLOOR, 6'-0" FROM FLOOR TO TOP OF BOX (TYPICAL)

DISCONNECT SWITCH BY ELECTRICAL CONTRACTOR 30 AMP FUSED DISCONNECT

TOTAL WALL FINISH STUD AND DRYWALL MASONRY

EMERGENCY RELEASE  
 PUSHBUTTON STATIONS MOUNTED AT EACH FLOOR UP-DOWN ARROWS: INUSE LIGHT CAR HERE LIGHT AND CHIME